



**Model Number**

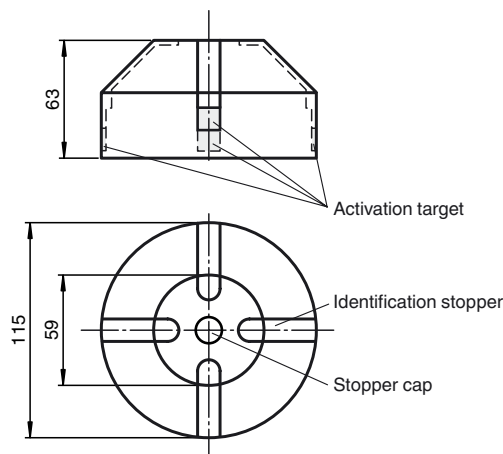
**BT115A**

Activator for F31 series

**Features**

- Four fixed actuating lugs, offset by 90°
- For right and left rotating drives with 180° rotational motion

**Dimensions**



**Technical data**

**General specifications**

Ring diameter	≤ 110 mm
Spring ring height	≤ 7 mm

**Ambient conditions**

Ambient temperature	-25 ... 70 °C (-13 ... 158 °F)
---------------------	--------------------------------

**Mechanical specifications**

Shaft diameter	< 90 mm
Shaft height	30 mm and 50 mm
Mounting hole pattern	30 x 130 mm

**Material**

Housing	PA
Spacer disk	PA (2 units, 10 mm strong)
Stopper cap	PBT (1 unit black)
Identification stopper	PA (2 units yellow, 2 units black)
Mounting screw	for activator: 1.4305 / AISI 303 (1 piece M6 x 25, + 1 piece M6 x 35) for sensors - F31: 1.4305 / AISI 303 (4 items M5 x 16, (2 pieces M5 x 12)
Activation target	Stainless steel 1.4305 / AISI 303 (integrated)

**Note**

The activator consists of a conductive plastic material which prevents static charging and allows installation in potentially explosive environments.

Release date: 2007-09-13 14:18 Date of issue: 2014-12-25 105191\_eng.xml