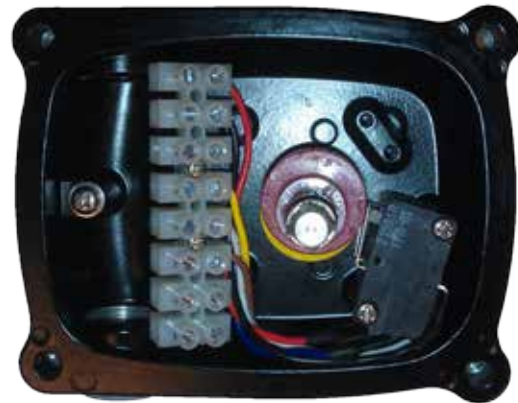


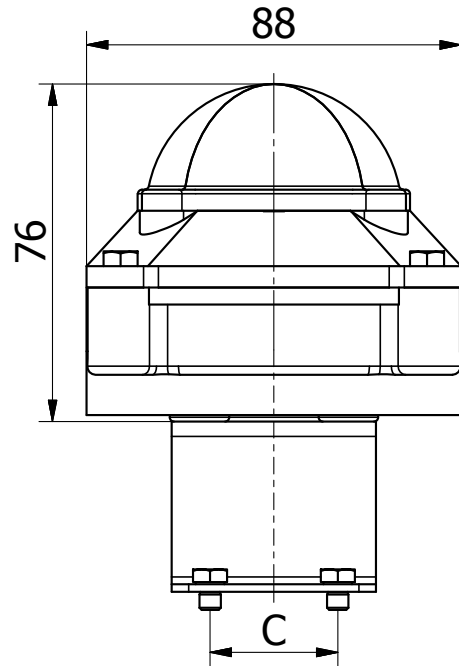
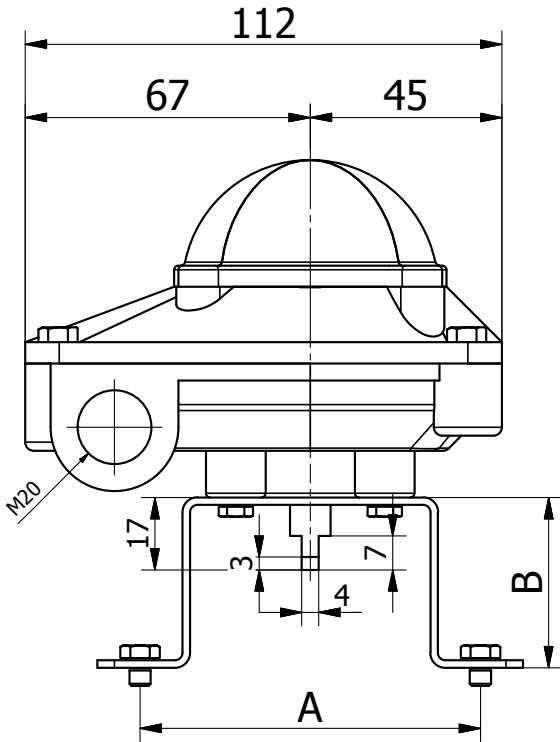
GENERAL FEATURES:

- Aluminium die-casting housing coated with powder
- 2 mechanical switches SPDT (3 wires) type V3-900
- Voltage: max. 240 VAC - 16 A
- Dual cable entries: 2x M20
- Terminal Strips: 8 points (0,08 - 2,5 mm²)

**CE**

(connection to solenoid valve possible)

- Enclosure: weatherproof IP67
- Temperature: -20°C ~ 80°C
- Easy mounting: Namur standard stainless steel shaft and bracket



DIMENSIONS: (mm)

Type	Config.	A	B	C	Kg
SBM351C	80H20	80	40	30	0,6
SBM351C	80H30	80	50	30	0,8
SBM351C	130H30	130	50	30	0,8

WIRING:

